



ALCO INC. HEAD OFFICE

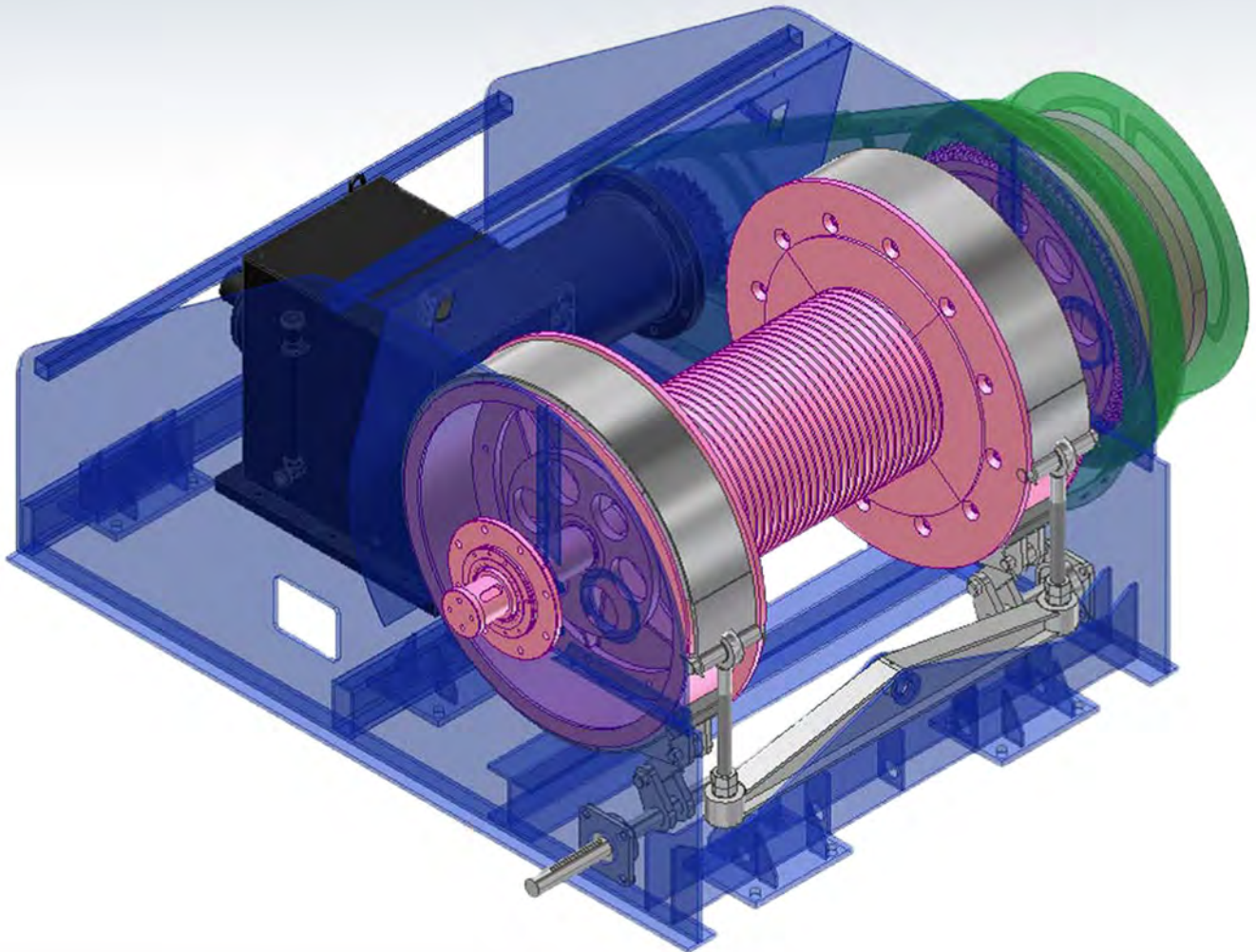
6925 - 104 Street, Edmonton

Alberta, Canada T6H 2L5

BUS: (780) 435-3502

TOLL FREE: 1-800-563-1498

[www.alcoinc.ca](http://www.alcoinc.ca)



ALCO 450 SD (3808) Drawworks



Reg. No. Q1 - 2406



License No.  
8C - 0271



**QMS  
REGISTERED**

ISO 9001:2008  
Reg. No. 2532





# ALCO 450 SD (3808) Drawworks

## SPECIFICATIONS

Maximum Input Horse Power Rating: 450 HP / 335 kW

Recommended Wireline Size: 1"

Maximum Single Line Pull Capacity: 66,432 lbs. (Static)

### Main Drum:

Dia. x Width: 18" x 36"

Brake Rim Dia. x Width: 38" x 8"

Brake Contact Area: 1,750 in<sup>2</sup>

Brake Cooling Type: Air

Brake Blocks: 8" x 12" x 1-1/8"

Clutch: PO324

Chain: 1-1/2" Double

### Standard Equipment:

Right Angle Drive Gear Box

Central Greasing System

### Optional Equipment:

Auxiliary brake: Kobelt 40" x 4" x 7"

Air Supply Required: 100-130 psi (Max 150 psi)

### Dimensions / Miscellaneous

Length: 97"

Width: 98-5/8"

Height: 54 -3/4"

Weight: 12,000 lbs(Approx.)including RAG Box, Chains & Lubrication

Get Started at: [sales@alcoinc.ca](mailto:sales@alcoinc.ca)