



ALCO INC. HEAD OFFICE

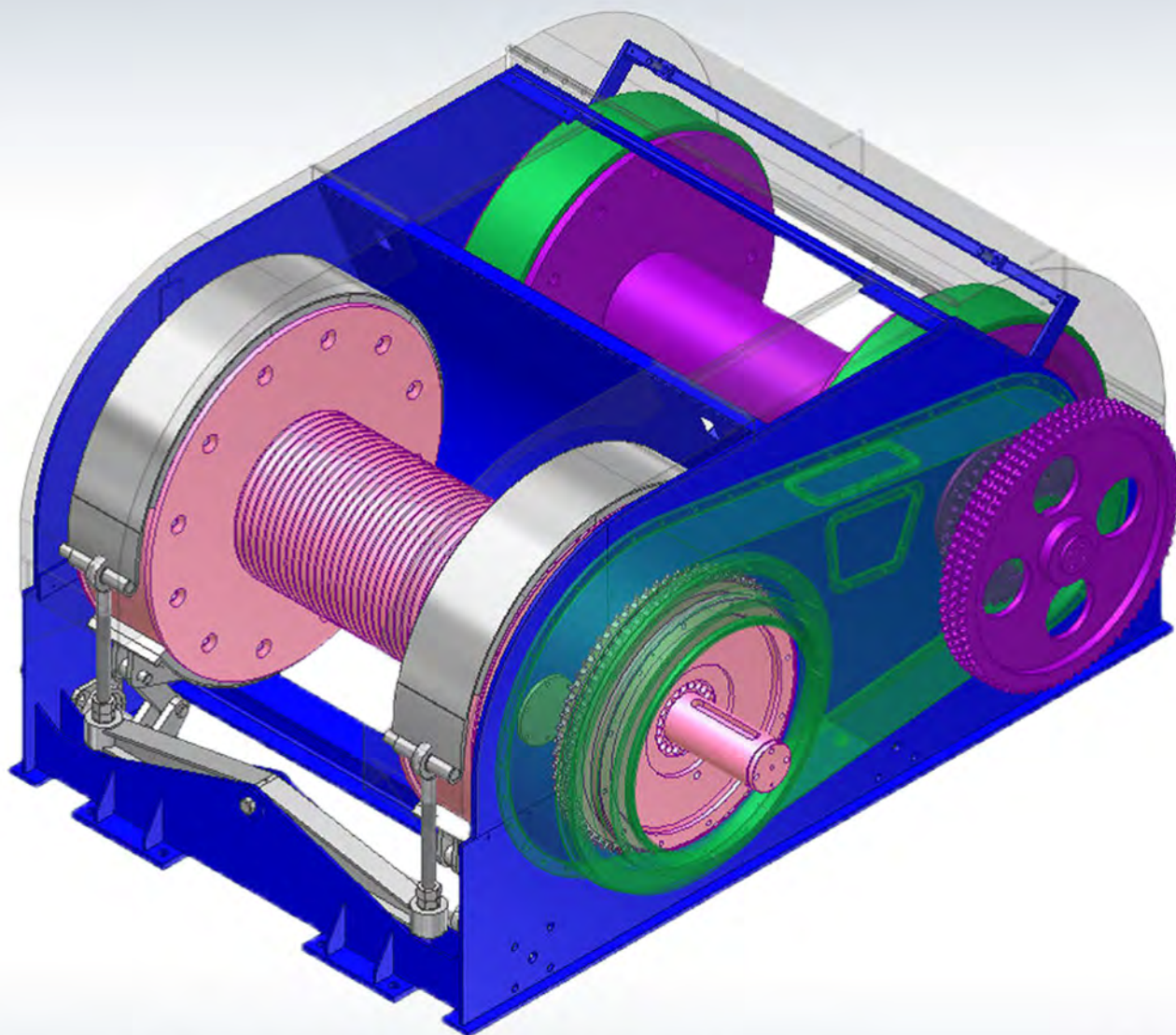
6925 - 104 Street, Edmonton

Alberta, Canada T6H 2L5

BUS: (780) 435-3502

TOLL FREE: 1-800-563-1498

[www.alcoinc.ca](http://www.alcoinc.ca)



ALCO 500 DD (4210) Drawworks



Reg. No. Q1 - 2406



License No.  
8C - 0271



**QMS**  
REGISTERED  
ISO 9001:2008  
Reg. No. 2532





# ALCO 500 DD (4210) Drawworks

## SPECIFICATIONS

Maximum Input Horse Power Rating: 500 HP / 373 kW

Recommended Wireline Size: 1"

Maximum Single Line Pull Capacity: 66,432 lbs. (Static)

### Main Drum:

Dia. x Width: 18" x 36"

Brake Rim Dia. x Width: 42" x 10"

Brake Contact Area: 2420 in<sup>2</sup>

Brake Cooling Type: Water

Brake Blocks: 10" x 12" x 1-1/8"

Clutch: PO324

Chain: 1-1/2" Double

### Sand Line Drum:

Dia. x Width: 13" x 39"

Brake Rim Dia. x Width: 38" x 8"

Brake Contact Area: 1,750 in<sup>2</sup>

Brake Cooling Type: Air

Capacity 9/16" Line: 10,000 feet (3 000 m)

Brake Blocks: 8" x 12" x 1-1/8"

Clutch: PO224

Chain: 1-1/4" Triple

### Standard Equipment:

Right Angle Drive Gear Box

Central Greasing System

### Optional Equipment:

Auxiliary brake: Eaton 124WCBD

Air Supply Required: 100-130 psi (Max 150 psi)

### Dimensions / Miscellaneous

Length: 104"

Width: 101"

Height: 54-3/4"

Weight: 14,600 lb

Get Started at: [sales@alcoinc.ca](mailto:sales@alcoinc.ca)