



ALCO INC. HEAD OFFICE

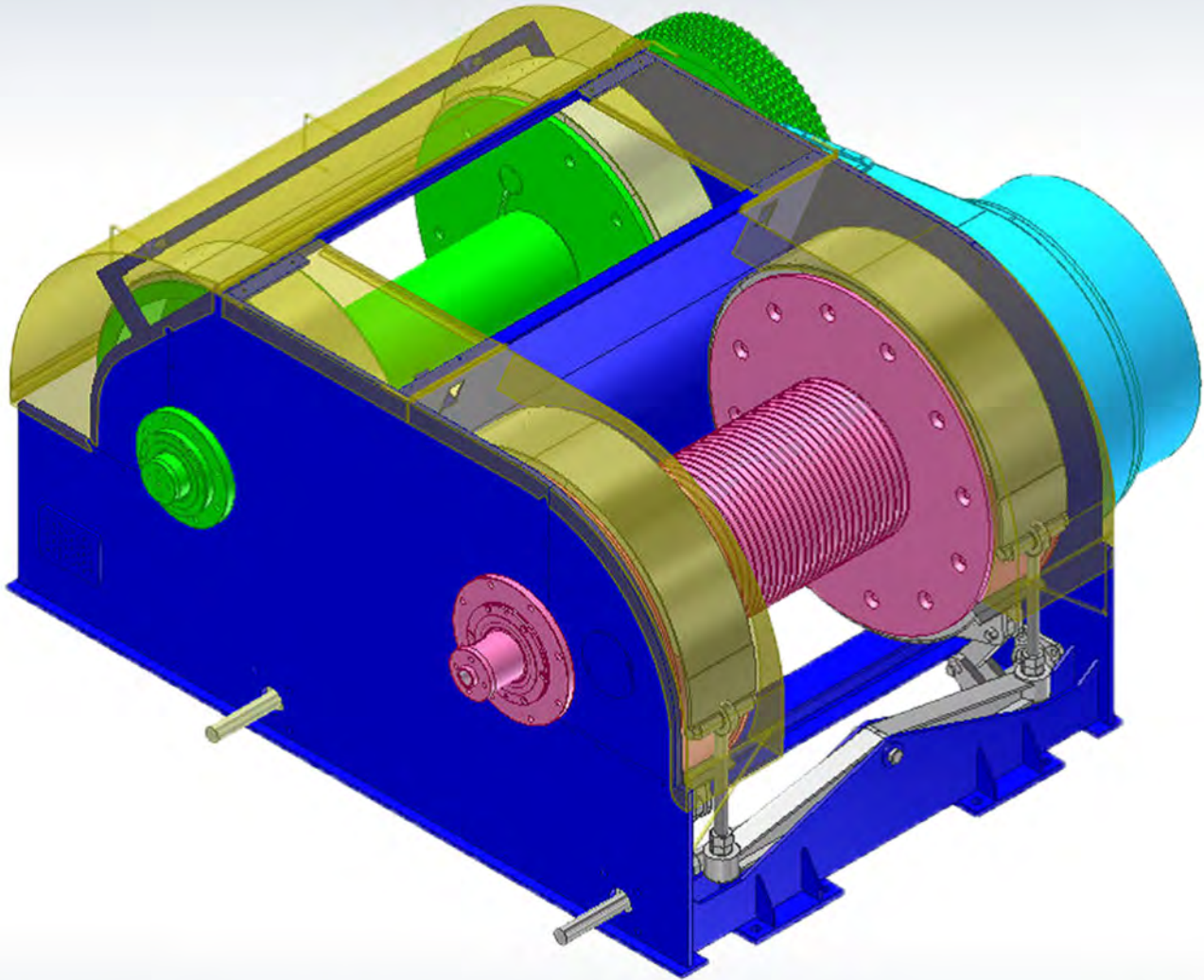
6925 - 104 Street, Edmonton

Alberta, Canada T6H 2L5

BUS: (780) 435-3502

TOLL FREE: 1-800-563-1498

www.alcoinc.ca



ALCO 700 DD (4210) Drawworks



Reg. No. Q1 - 2406



License No.
8C - 0271



QMS REGISTERED
ISO 9001:2008
Reg. No. 2532





ALCO 700 DD (4210) Drawworks

SPECIFICATIONS

Maximum Input Horse Power Rating 700 HP / 522 kW

Recommended Wireline Size: 1-1/8"

Maximum Single Line Pull Capacity: 98,185 lbs (Static)

Main Drum:

Dia. x Width: 18" x 36"

Brake Rim Dia. x Width: 42" x 10"

Brake Contact Area: 2420 in²

Brake Cooling Type: Water Cooled

Brake Blocks: 10" x 12" x 1-1/8"

Clutch: PO324

Chain: 1-1/2" Quad

Sandline Drum:

Dia. x Width: 13" x 39"

Brake Rim Dia. x Width: 38" x 8"

Brake Contact Area: 1,750 in²

Brake Cooling Type: Air

Capacity 9/16" Line: 10,000 feet (3 000 m)

Brake Blocks: 8" x 12" x 1-1/8"

Clutch: PO224

Chain: 1-1/4" Quint

Air Supply Required: 130 psi (Max 150 psi)

Standard Equipment:

Right Angle Drive Gear Box

Central Greasing System

Dimensions / Miscellaneous

Length: 107-1/2"

Width: 101-1/4"

Height: 55-3/4"

Weight: 23,000 lbs incl. Chain, Lubrication and Gearbox

Optional Equipment:

Auxiliary brake: Kobelt 5040 c/w 54-1/2" Disc

Get Started at: sales@alcoinc.ca