



ALCO INC. HEAD OFFICE

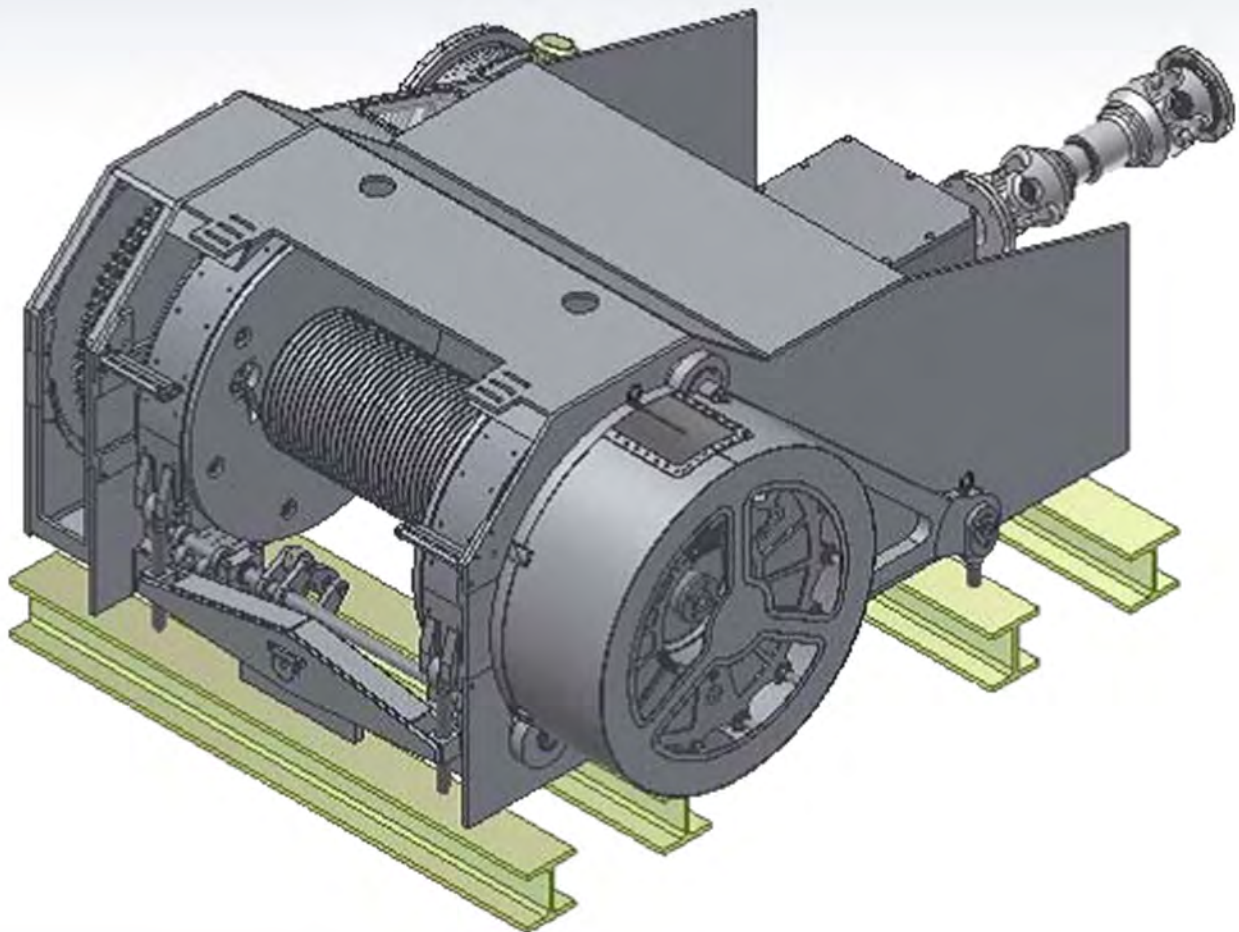
6925 - 104 Street, Edmonton

Alberta, Canada T6H 2L5

BUS: (780) 435-3502

TOLL FREE: 1-800-563-1498

www.alcoinc.ca



ALCO 750 SD Drawworks



Reg. No. Q1 - 2406



License No.
8C - 0271



**QMS
REGISTERED**

ISO 9001:2008
Reg. No. 2532





ALCO 750 SD Drawworks

SPECIFICATIONS

Maximum Input Horse Power Rating: 750 HP / 559 kW

Recommended Wireline Size: 1-1/8"

Maximum Single Line Pull Capacity: 98,185 lbs. (Static)

Main Drum:

Dia. x Width: 18" x 36"

Brake Rim Dia. x Width: 42" x 8"

Brake Contact Area: 1,670 in²

Brake Cooling Type: water + Ethylene Glycol

Brake Blocks: 8" x 12" x 1-1/8"

Clutch: PO324

Chain: 1-3/4" Double

Standard Equipment:

Right Angle Drive Gear Box

Central Greasing System

Optional Equipment:

Auxiliary brake: Eaton 134WCBD/236WCBD

Air Supply Required: 100-130 psi (Max 150 psi)

Dimensions / Miscellaneous

Length: 115"

Width: 117-1/2"

Height: 55"

Weight: 23,000 lbs including Gearbox

Get Started at: sales@alcoinc.ca