



ALCO INC. HEAD OFFICE

6925 - 104 Street, Edmonton

Alberta, Canada T6H 2L5

BUS: (780) 435-3502

TOLL FREE: 1-800-563-1498

www.alcoinc.ca



ALCO Low Profile Power Slips



Reg. No. Q1 - 2406



License No.
8C - 0271



QMS REGISTERED
ISO 9001:2008
Reg. No. 2532





ALCO Low Profile Power Slips

Operational Advantages

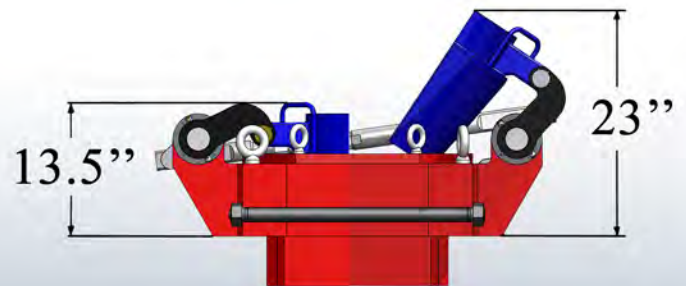
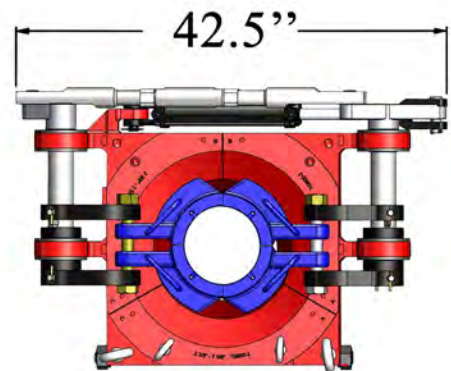
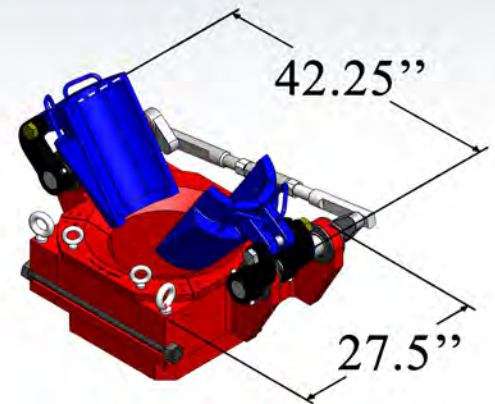
- Safe operation with hydraulic actuation of slip segments
- Efficient conversion for various tubular sizes
- Removable front gate to allow removal from rotary table with pipe-in-the-hole
- Easily replaceable shear pins in case of excessive side loading

Specifications

- Manufacture: API Spec 7K
- Load Rating: 350-Ton (311,360 daN)
- Tubular Sizes: 2 3/8" – 13 3/8" (60.3mm – 340mm)
- Weight: 1,000 lbs (455 kg)
- Dimensions: As shown

Hydraulic Supply

- Volume: 5 US gpm (19 lpm)
- Pressure: 1000 psi (6.9 MPa)



Get Started at: sales@alcoinc.ca