



ALCO INC. HEAD OFFICE

6925 - 104 Street, Edmonton

Alberta, Canada T6H 2L5

BUS: (780) 435-3502

TOLL FREE: 1-800-563-1498

www.alcoinc.ca



ALCO 10" Double & Triple Jaw
Iron Roughneck Wrenches



Reg. No. Q1 - 2406



License No.
8C - 0271



QMS
REGISTERED
ISO 9001:2008
Reg. No. 2532





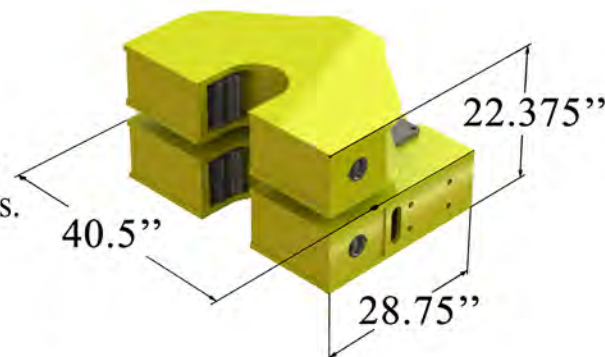
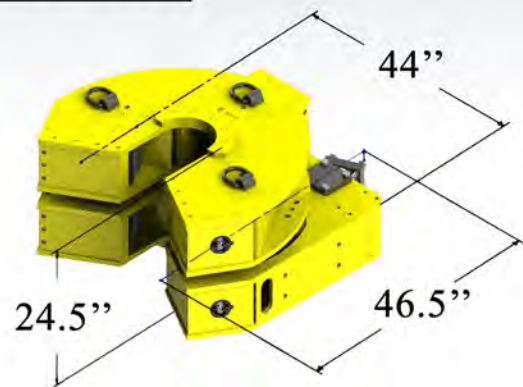
ALCO 10" Double & Triple Jaw Iron Roughneck Wrenches

Description

• The 10" ALCO SMART Roughneck Wrench is the primary component in the complete ALCO SMART Roughneck System for clamping, make/break of pipe tubulars at a consistent torque

Features / Benefits

- Complete automated-system to consistently make-up and break-out pipe tubulars at a consistent torque rating
- Quick interchangeable dies to speed up working progress
- Reduced crew fatigue when making/breaking pipe tubulars
- Accommodates tubular sizes from: 2 3/8" - 10"
- 2 Jaw torque make-up: 82,000 Ft/Lbs. break-out: 98,000 Ft/Lbs
- 3 Jaw torque make-up: 90,000 Ft/Lbs. break-out: 110,000 Ft/Lbs.



Specifications

| Iron Roughneck | | | | Dimensions | | | |
|------------------|-----------|---------------|---------------|-------------|------------|-------------|-------------|
| Wrench | Size (IN) | Max Pipe (IN) | Min Pipe (IN) | Height (IN) | Width (IN) | Length (IN) | Weight (LB) |
| Two Jaw 10 in | 10 | 10 | 2 3/8 | 21 7/8 | 40 1/2 | 29 | 2800 lb |
| Triple Jaw 10 in | 10 | 10 | 2 3/8 | 23 11/16 | 44 | 39 5/8 | 4300 lb |

| Wrench | Torque | | | | Ram Cylinder | Torque Cylinder | Spacer Plate Thickness (IN) | Die Holders |
|------------------|-----------------------|-------------------------|----------------------|--|--------------------|--------------------|-----------------------------|-------------|
| | Make up (ft-lb) (Max) | Break Out (ft-lb) (Max) | Rotation Angle (DEG) | Distance from centre to the axis of nut (IN) | Stroke Length (IN) | Stroke Length (IN) | | Range (IN) |
| Two Jaw 10 in | 82000 | 98000 | 34 | 19 | 6 | 10.35 | 1 | 2 3/8 - 10 |
| Triple Jaw 10 in | 90000 | 110000 | 30 | 18 | 6 | 10.35 | N | 2 3/8 - 10 |

Get Started at: sales@alcoinc.ca