



ALCO INC. HEAD OFFICE

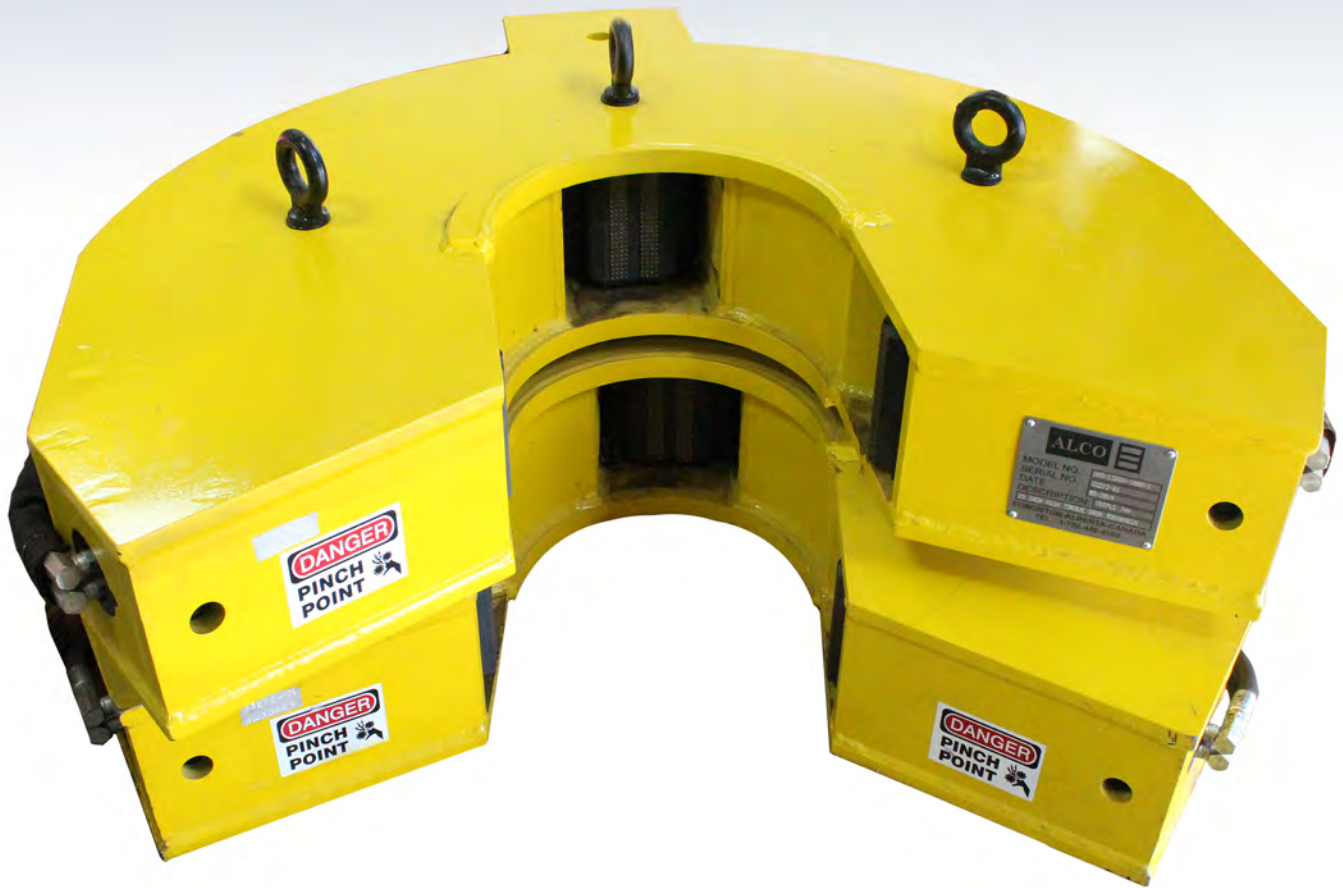
6925 - 104 Street, Edmonton

Alberta, Canada T6H 2L5

BUS: (780) 435-3502

TOLL FREE: 1-800-563-1498

www.alcoinc.ca



ALCO 15" Double & Triple Jaw  
Iron Roughneck Wrenches



Reg. No. Q1 - 2406



License No.  
8C - 0271



**QMS**  
**REGISTERED**

ISO 9001:2008  
Reg. No. 2532





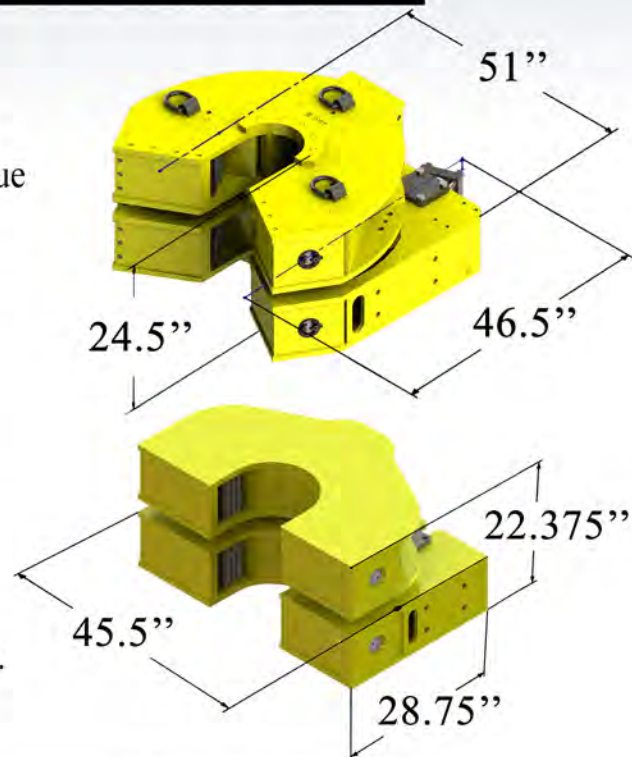
# ALCO 15" DOUBLE & TRIPLE JAW IRON ROUGHNECK WRENCHES

## Description

- The 15" ALCO SMART Roughneck Wrench is the primary component in the complete ALCO Smart Roughneck System for clamping, make/break of pipe tubulars at a consistent torque

## Features / Benefits

- Complete automated-system to consistently make-up and break-out pipe tubulars at a consistent torque rating
- Quick interchangeable dies to speed up working progress
- Reduced crew fatigue when making/breaking pipe tubulars
- 2 jaw system accommodates tubular sizes from: 2 3/8" - 15"
- 3 jaw system accommodates tubular sizes from: 3 1/2" - 15"
- 2 jaw torque make-up: 82,000 ft-lbs. break-out: 98,000 ft-lbs
- 3 jaw torque make-up: 90,000 ft-lbs. break-out: 110,000 ft-lbs.



## Specifications

Iron Roughneck					Dimensions		
Wrench	Size (IN)	Max Pipe (IN)	Min Pipe (IN)	Height (IN)	Width (IN)	Length (IN)	Weight (LB)
Two Jaw 15 in	15	15	2 3/8	21 7/8	45 1/2	29	2900 lb
Triple Jaw 15 in	15	15	3 1/2	23 11/16	51	45	4300 lb

Wrench	Torque				Ram Cylinder	Torque Cylinder	Spacer Plate Thickness (IN)	Die Holders
	Make up (ft-lb) (Max)	Break Out (ft-lb) (Max)	Rotation Angle (DEG)	Distance from centre to the axis of nut (IN)	Stroke Length (IN)	Stroke Length (IN)		Range (IN)
Two Jaw 15 in	82000	98000	33.5	20	6	10.35	1	2 3/8 - 15
Triple Jaw 15 in	90000	110000	30	20.5	8	10.35	N	3 1/2 - 15

Get Started at: [sales@alcoinc.ca](mailto:sales@alcoinc.ca)